



SCROLLVAC 3/3S plus

Superior performance in a compact package





Clean, compact & capable

Looking for compact yet powerful pumping performance to drive your R&D projects forward?

It's time you discovered the advantages of clean, dry, and oil-free scroll technology!

The Leybold SCROLLVAC 3S plus extends the Leybold range of scroll pumps, combining high pumping speed with good ultimate vacuum in a compact, flexible, quiet, and reliable package.

A technology requiring very little maintenance...

The SCROLLVAC 3S plus is as easy to use as it is to integrate in your laboratory setting. As such, it offers a clean alternative to oil-sealed rotary vane pumps and an ideal dry solution for backing the Leybold TURBOVAC i range of turbos.

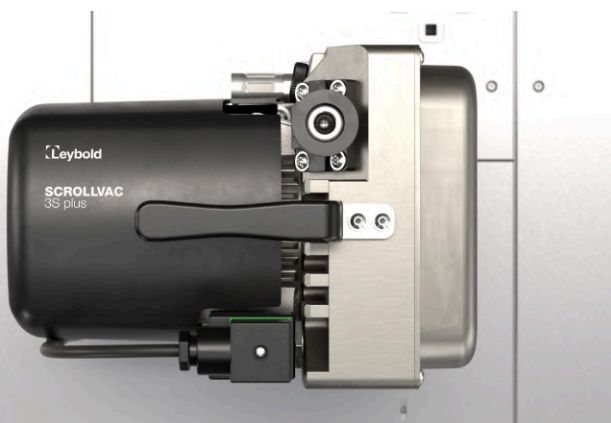
Applications

With its high build quality, outstanding performance, flexible design, and compact footprint, the SCROLLVAC 3 and SCROLLVAC 3S plus are ideally suited to smaller-scale laboratories and R&D applications.

- Universities
- Research institutions
- Small system builders and OEMs
- Clean industrial application
- Leak detectors



Main benefits



— CLEAN & DRY PERFORMANCE

The pump that packs plenty of punch

The SCROLLVAC 3S plus gives you all the advantages of scroll pump technology in a clean, dry, and compact package.

All the clean, dry, high-performance pumping without the oil to worry about.

- Less hassle
- Less risk
- Less maintenance
- Less running costs
- Less environmental impact

— VERSATILE DESIGN FOR FLEXIBLE SYSTEM BUILDING

Extending the range of advanced Leybold scroll pumps, the SCROLLVAC 3S plus is optimized for backing the Leybold TURBOVAC i range of turbomolecular pumps. Making it a great choice for small-scale R&D applications.

- More choice
- More modular building blocks
- More cost-effective solutions





— COMPACT YET POWERFUL

Small on footprint, big on performance

Weighing in at just 8kg, the SCROLLVAC 3S plus is the smallest in the range of Leybold dry scroll pumps. But don't be fooled by its size!

With peak pumping speeds of up to 3 m³/h at 50Hz (or 3.5 m³/h at 60Hz) and a typical ultimate vacuum of 0.1 mbar, the SCROLLVAC 3S plus is a very capable and dry alternative to diaphragm pumps.

■ Higher pumping speeds & better ultimate vacuum in a light, compact, & reliable package.

— SYSTEM DESIGN MADE EASY

Plug, play, and repeat

The small footprint and light weight of the SCROLLVAC 3S plus make it easy to combine with your other Leybold products and integrate into your system.

Supplied as standard with DN 16 ISO-KF inlet and push-fit exhaust connections along with mains-driven motor, IEC connection, and an on-off switch for easy operation.



— LONG SERVICE INTERVALS

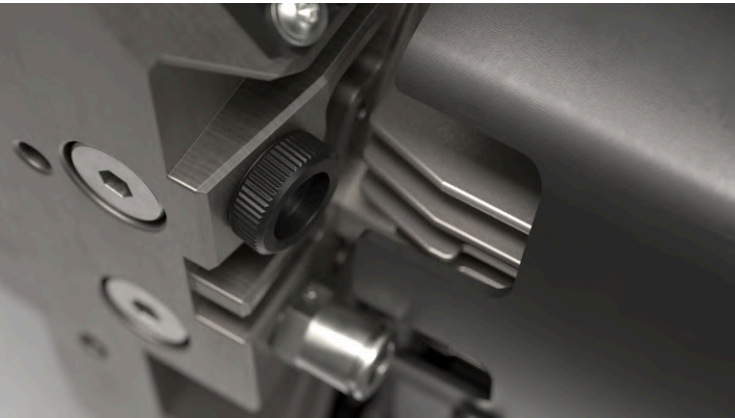
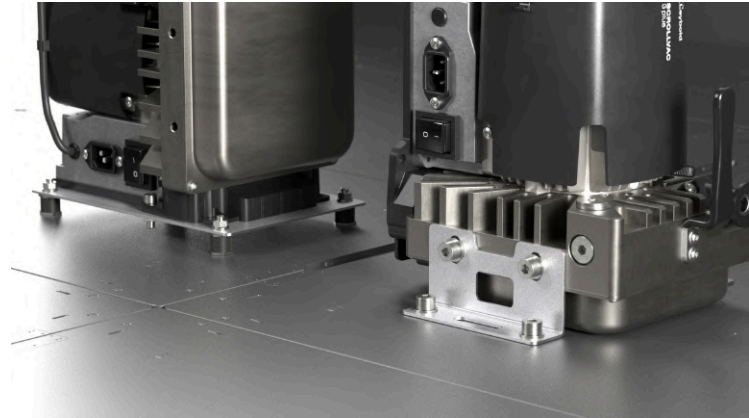
Just fit and forget

Oil-free operation means longer service intervals and overall lower total cost of ownership.

Unlike oil-sealed rotary vane pumps, all you have to do is replace the tip seal of your SCROLLVAC 3S plus every couple of years. Which you can easily do yourself.

— FLEXIBLE INSTALLATION

The SCROLLVAC 3S plus can be mounted either horizontally or vertically, if required. Optional mounting brackets and base plates make it even easier to attach the pump to any structure. The base plate can also be used to retrofit your SCROLLVAC 3S plus onto an existing Leybold Turbocart. So you can upgrade your existing system to scroll technology quickly and easily.



— EFFECTIVE VAPOR HANDLING

Built-in manual gas ballast

Does your exhaust gas contain some moisture? Not to worry.

The built-in manual gas ballast on your SCROLLVAC 3S plus is capable of handling a fair amount of water vapor while still maintaining a good ultimate vacuum for reliable and consistent performance.

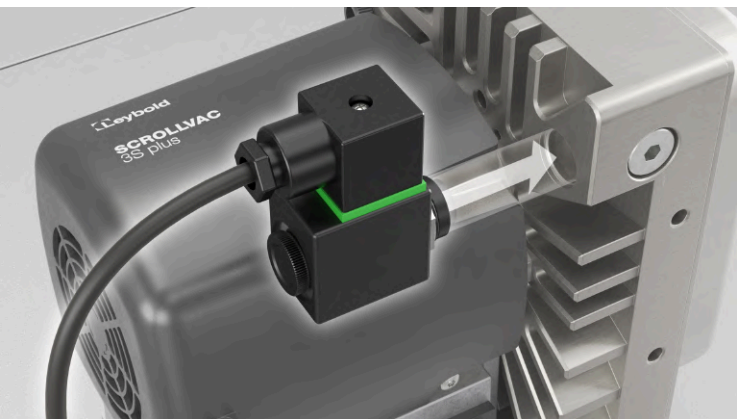
— QUIET EFFICIENCY

High speed, low vibration

The SCROLLVAC 3 plus and SCROLLVAC 3S plus are optimized for low vibration and quiet operation.

Both models utilize a full fan cowl design. An exhaust line can also be fitted directly to the standard push-fit exhaust fitting. Otherwise, an exhaust silencer filter accessory can be used for free-standing operation. This silencer accessory is supplied as standard with the SCROLLVAC 3S plus.





— SECURE PERFORMANCE

Full-feature design for a reliable seal

Both the SCROLLVAC 3 plus and SCROLLVAC 3S plus come fitted with a built-in exhaust valve as standard, just like the larger SCROLLVAC pumps, providing effective protection from rapid pressure rise in the event of a power failure.

For extra system protection, the SCROLLVAC 3S plus offers the added peace of mind of a fast-acting solenoid inlet valve to isolate the pump from your system and preserve the vacuum inside your system.

Already have protection valves built into your system? The standard SCROLLVAC 3 plus without built-in inlet valve may be better suited to your requirements.

Delay relay

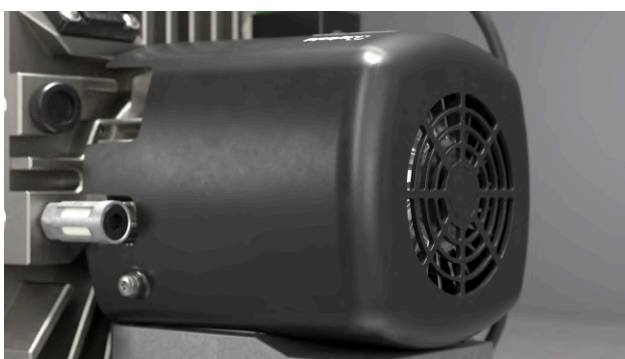
And when the power is restored, a delay relay switch built-in to the SCROLLVAC 3S plus prevents the inlet valve from opening for 10 seconds to allow the pump get up to speed and evacuate itself.

— QUALITY GUARANTEED

Designed and manufactured in house by Leybold

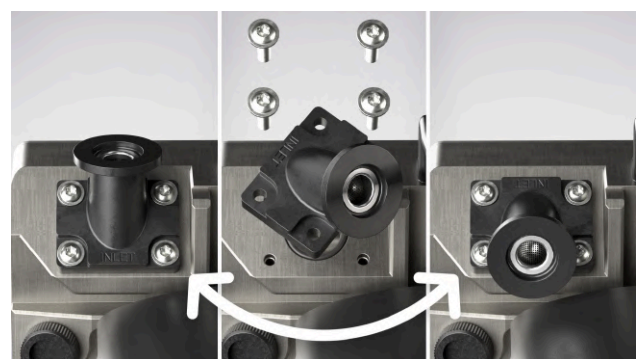
Giving you extra peace of mind!





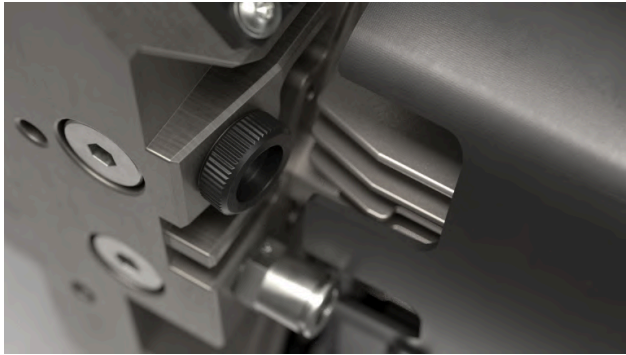
1. Mains driven motor

- Compact air cooled motor
- Select appropriate motor variant for local electric supply
- Plug in IEC power cable
- On/off switch for local control
- Easy to set up and run



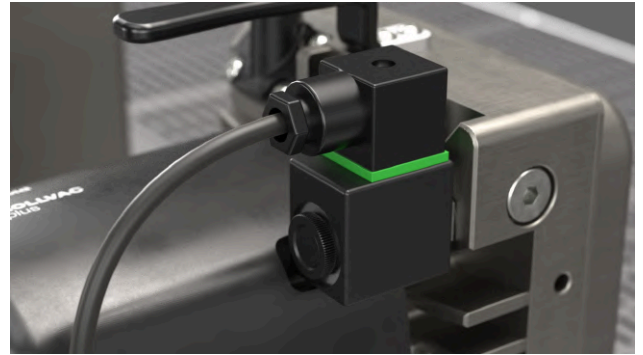
2. DN 16 ISO-KF inlet flange

Vertical or horizontal orientation for flexible system design.
Push-fit connection available as an accessory.



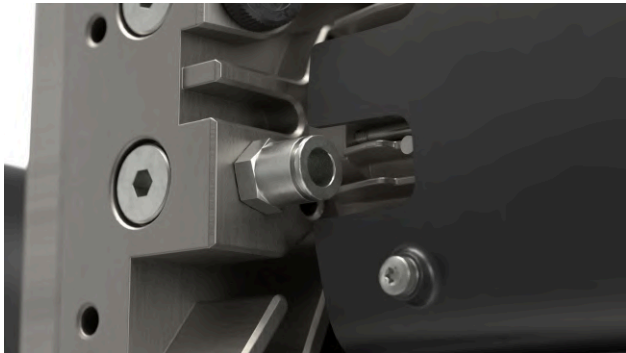
3. Gas ballast

Manually configured for light gas pumping and low vapour load handling, with optional adaptor for inert gases



6. Solenoid inlet valve* with 10 sec delay relay

Extra protection in the event of power failure.
(* supplied fitted with SCROLLVAC 3S plus)



4. Push-fit exhaust fitting

For easy connection, available on both models



7. On/Off switch

Full control, even if plugged in at a distance from the unit itself



5. Exhaust valve

Preventing rapid pressure rise in the backing line



8. Carry handle

Built for mobility and flexible installation

Technical data & ordering information

Technical data

		SCROLLVAC 3 plus	SCROLLVAC 3S plus
Max Pumping Speed (50Hz)	m ³ h ⁻¹		3
Max Pumping Speed (60Hz)	m ³ h ⁻¹		3.5
Ultimate pressure with closed gas ballast	mbar		0.1
Ultimate pressure with gas ballast (1 turn)	mbar		0.15
Gas Ballast flow rate (1 Turn)	slm		2.5
Mains Voltage	V		100 +/- 6% 1 phase 50/60 Hz
	V		115 +/- 10% 1 phase 50/60 Hz
	V		200 +/- 10% 1 phase 50/60 Hz
	V		230 +/- 10% 1 phase 50/60 Hz
Power Consumption at Ultimate	W	180	210
Mains Connector			IEC EN60320 C13
Noise level	dB(A)		54
Inlet flange			DN 16 ISO-KF
Exhaust connection		1/8 inch BSP for 6x8 mm hose	1/8 inch BSP for 6x8 mm hose Exhaust filter supplied
Weight	kg	7.8	8
Dimensions (W x H x D)	mm		158 x 231 x 224

Ordering information - pumps

Part number	Description
Standard version	
142030V330	SCROLLVAC 3 plus 230V 1ph 50/60Hz
142030V320	SCROLLVAC 3 plus 200V 1ph 50/60Hz
142030V310	SCROLLVAC 3 plus 115V 1ph 50/60Hz
142030V300	SCROLLVAC 3 plus 100V 1ph 50/60Hz
Scientific version	
142030V430	SCROLLVAC 3S plus 230V 1ph 50/60Hz
142030V420	SCROLLVAC 3S plus 200V 1ph 50/60Hz
142030V410	SCROLLVAC 3S plus 115V 1ph 50/60Hz
142030V400	SCROLLVAC 3S plus 100V 1ph 50/60Hz

Ordering information - Spares

Part number	Description
GK7440001	Tip Seal Kit
GK7440002	Bearing replacement Kit
GK7440003	Gas ballast and Exhaust kit
GK7440004	Inlet KF16 adaptor Kit

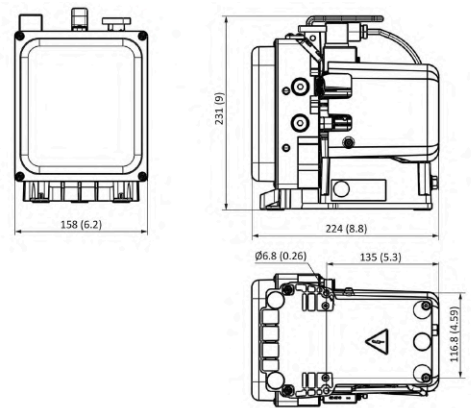
Ordering information - Accessories

Part number	Description
142030V450	Inlet Valve 100 - 120V
142030V451	Inlet Valve 200 - 240V
142030V452	Delay Relay
142030V455	Gas ballast or Exhaust push-in fitting 1/8 inch BSP
142030V456	Gas ballast fine restrictor
142030V457	Inlet Push-in fitting 1/4 inch BSP
142030V458	Inlet 1/4 inch BSP adaptor
142030V459	SCROLLVAC 3 plus Base mounting plate
142030V460	Bracket
142030V461	Exhaust Silencer / gas ballast filter 1/8 inch BSP
142030V462	Vibration Isolator Kit
142030V466	Adhesive rubber pads (pack of 4)
140125T	Inlet Filter DN25 ISO KF
800102V0003	Lead Assembly, 10 Amax, C13, UK
800102V0002	Lead Assembly, 10 Amax, C13, Europe
800102V1002	Lead Assembly, 10 Amax, C13, USA

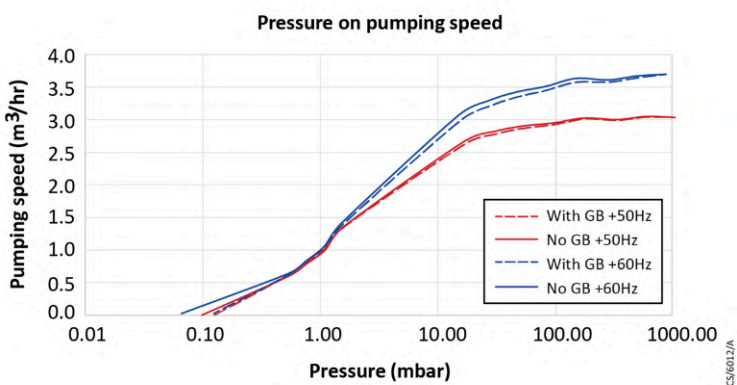
Dimensions & Pumping speed

... small and performant!

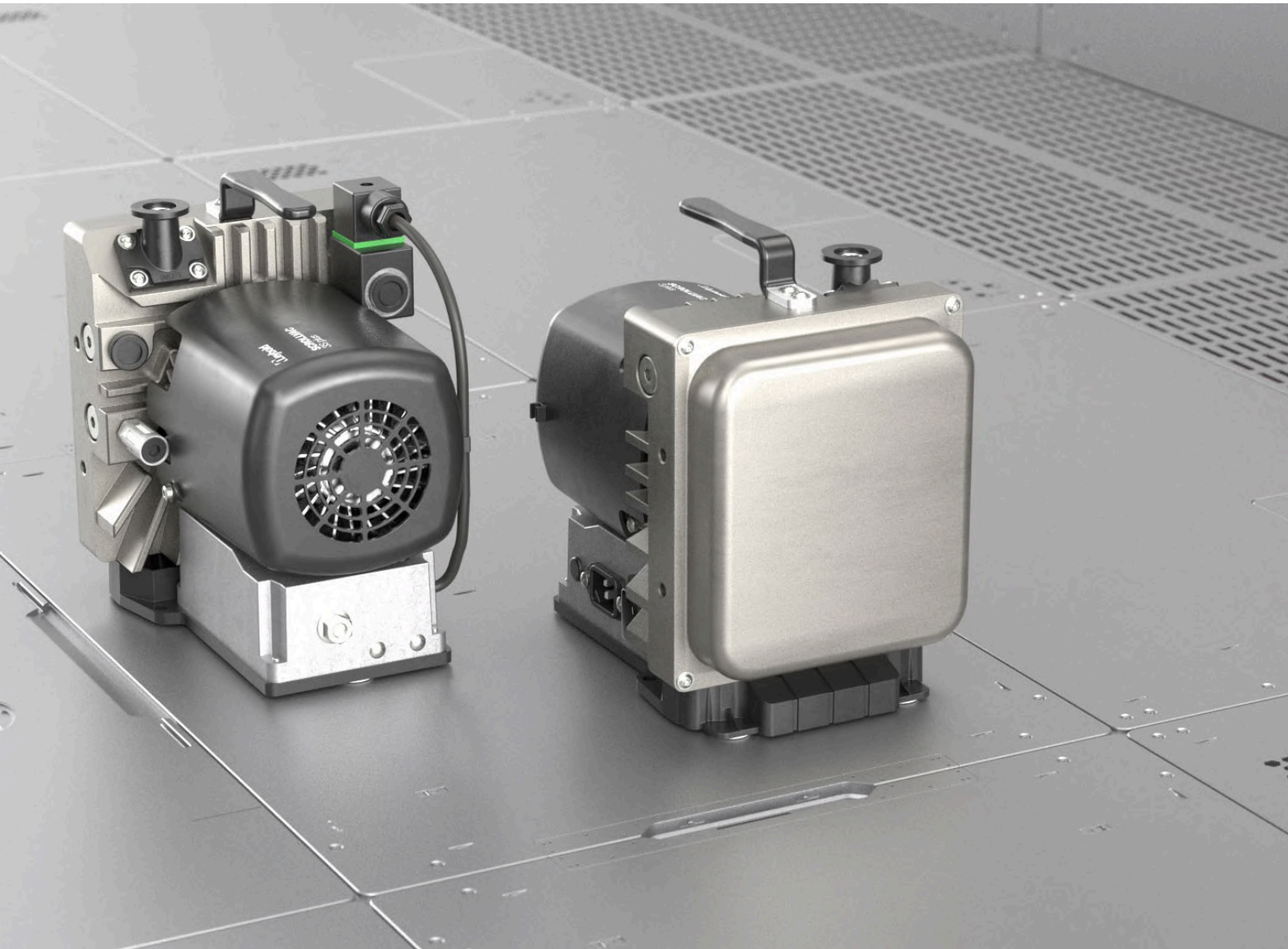
— DIMENSIONS



— PUMPING SPEED



SCROLLVAC 3/3S plus



 **Leybold**

Pioneering products. Passionately applied.

www.leybold.com

3610 0310 02 - June 2023. All rights reserved. Subject to change without notice or obligation. Read all safety instructions in the manual before usage